



Priorclave's Base range covers "the basics": media preparation, waste loads, and sterilising loose instruments, open containers, and labware. Top-loading autoclaves are among our best-sellers worldwide, owing to their high efficiency and extremely small footprint (relative to chamber size). They are especially sought after by research, quality assurance, and teaching labs that must regularly process taller flasks, fermentors, or bioreactors. Base models include fully programmable cycle customisation, "media warming," integrated cooling and freesteaming systems, and drain protection. Easy maintenance and light resource consumption help ensure a low lifetime cost of ownership.

SPEAK WITH AN AUTOCLAVE EXPERT



+44 (0)20 8316 6620 • priorclave.co.uk • sales@priorclave.co.uk

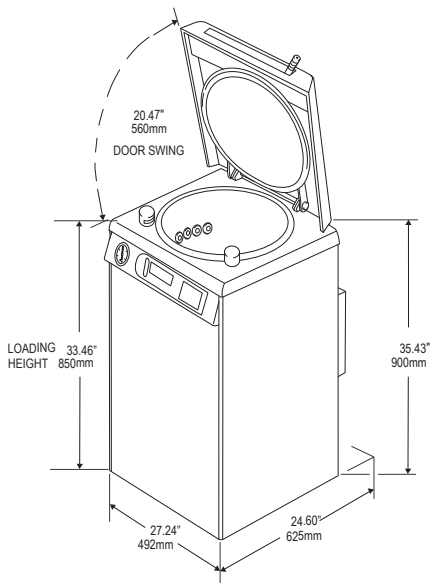
Our highly trained service technicians provide dedicated pre- and after-sales support including planned maintenance programmes to ensure you get the most from your Priorclave.

KEY FEATURES

- Quickseal single-action door fitted with thermal and pressure locks to prevent opening at load temperature above 80°C and pressures above 0.2bar.
- Tactrol® 3 microprocessor control with simple and fully variable setting of process time, temperature with graphic indication of cycle station.
- Automatic timed free-steaming.
- Forced Air Cooling.
- Media Warming and Delayed Start functions keep autoclaved media at a usable temperature ready for immediate use.
- Low water level sensor.
- Two or three loading baskets.
- Epoxy coated panels and frame members are treated with an anti-bacterial agent which is effective against all bacteria and fungi including MRSA.
- Pressure vessel carries a 10 year warranty and is insurance approved.
- Service and support direct from manufacturer (or appointed distributor).

60L AUTOCLAVE TOP LOADING

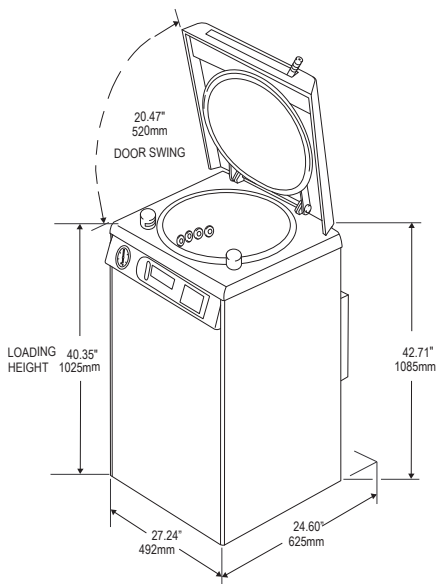
V60-BASE



Heat Input	Chamber Volume	Operating Range	Loading Format	Loading Height	Heating Power
Elements in Chamber	60 litres	Up to 138 °C, 2.4 Bar (280 °F 34 psi)	Top Loading	850mm (33.46")	3kW - 13A single phase
Chamber Dimensions diameter x depth		Bottom Shelf Dimensions w x d		Top Shelf Dimensions w x d	
350 x 625mm (13.77" x 24.60")		n/a		n/a	
Outside Dimensions w x d x h	Weight (unloaded)	Minimum Installation w x d		Door Swing	
492 x 625 x 900mm (27.24" x 24.60" x 35.43")	85kg (187.39 lbs)	670 x 1395mm (26.37" x 54.92") not including door swing		560mm (20.47")	

85L AUTOCLAVE TOP LOADING

V85-BASE



Heat Input	Chamber Volume	Operating Range	Loading Format	Loading Height	Heating Power
Elements in Chamber	85 litres	Up to 138 °C, 2.4 Bar (280 °F 34 psi)	Top Loading	1025mm (40.35")	2.9kW - 13A single phase
Chamber Dimensions diameter x depth		Bottom Shelf Dimensions w x d		Top Shelf Dimensions w x d	
350 x 890mm (13.8" x 24.4")		n/a		n/a	
Outside Dimensions w x d x h	Weight (unloaded)	Minimum Installation w x d		Door Swing	
492 x 625 x 1085mm (27.24" x 24.60" x 42.71")	145kg (319.67 lbs)	870 x 1600mm (26.37" x 62.99") not including door swing		520mm (20.47")	

CONFORMITY & COMPLIANCE

UK Standard ISO 9001 / CE Marked / BS2646

US Standard ASME

EU Standard CE / ISO 9001 / PED 97/23/EC

INT Standard

EMC Compliance

Sustainability

Service

Priorclave Trained Standard