



FRONTIER™ 5706

Multi Centrifuge



Reliable and Compact Multi-Function Centrifuge For Standard Life Science Separation Applications

Frontier™ 5706 is a small benchtop multi-function centrifuge ideal for a multitude of spin-down applications. Characterized by reliability, various safety features, the ability to accommodate test tubes of various sizes and intuitive operation, Frontier 5706 was built to meet the basic need for liquid separation in the life sciences.

Standard Features Include:

- **Extremely Simple and Intuitive Operation**—With an easy-to-turn control knob, a large LCD display and the capabilities to set and view both speed in rpm and g-force, obtain precise results and enhanced functionality from this easy-to-use centrifuge.
- **Compatibility with Test Tubes of Various Sizes**—Frontier 5706 can accommodate all standard tube sizes from 1.5 mL to 50 mL, providing centrifugation for a wide variety of applications. It also has a large capacity, and can hold six 50 mL tubes and twelve 15 mL tubes during one process.
- **Several Safety Features that Protect Against Injury**—Among Frontier 5706's safety attributes are a sturdy mechanical lid with locking system and a rotor imbalance sensor that stops the centrifuge if the rotors become imbalanced or sudden shock occurs, protecting the operator from being injured by the high-speed spinning rotors.

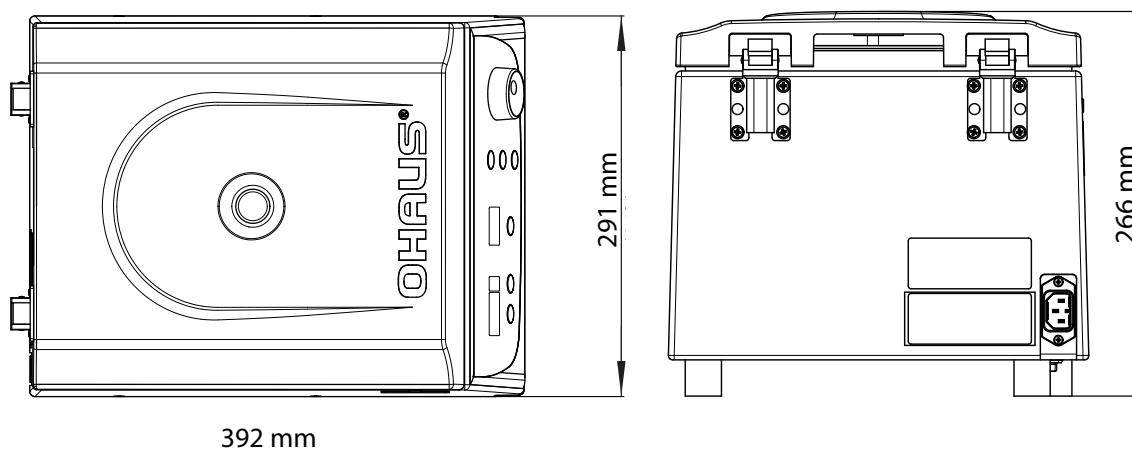
FRONTIER™ 5706 *Multi Centrifuge*

Model	FC5706	
Speed Range	200 rpm – 6000 rpm; 50 rpm/increments	
Maximum RCF	4427 x g; 10 x g/increments	
Maximum Capacity (Rotor)	6 x 50 mL	
Cooling	Air Cooled	
Running Time	10 sec to 99 hr 99 min 99 sec or Continuous	
Noise Level (Depending on the Rotor)	≤ 60 +2 dB(A)	
AC Power	230 V/50 – 60 Hz	120 V/50 – 60 Hz
Voltage Fluctuation	± 10%	± 10%
Current Consumption	0.55 A	1.1 A
Power Consumption	100 W	100 W
Dimensions (W x D x H)	291 x 392 x 266 mm	
Net Weight (Without Rotor)	10.5 kg	
Shipping Dimensions (W x D x H)	400 x 545 x 410 mm	
Shipping Weight (Without Rotor)	15 kg	

Approvals

- **Product Safety:** EN 61010-1:2010, EN 61010-2-020:2006
- **Electromagnetic Compatibility:** EN 61326-1:2006, FCC Part 15 Class B

Dimensions



FRONTIER™ 5706 *Rotors and Adapters*









Rotors and Adapters that Expand the Versatility of Frontier FC5706

Various rotors and tube adapters provide FC5706 with the ability to hold tubes of different sizes and capacities.

				
Item	Angle Rotor, 12 × 15 mL	7mL Tube Adapter	5mL Tube Adapter	1.5 mL/2.0 mL Tube Adapter
Item Number	30130877	30130889	30130890	30130886
Compatible Tubes	15 mL	7 mL	5 mL	1.5mL / 2.0mL
Maximum Number of Tubes	12	12	12	12
Max. RPM	6000 rpm	6000 rpm	6000 rpm	6000 rpm
Max. RCF	4427 × g	4265 × g	3621 × g	3058 × g
Radius	110 mm	106 mm	90 mm	76 mm
Type	Angle Rotor 32°	—	—	—
Rotor Material	PP ¹	—	—	—

FRONTIER™ 5706 Rotors and Adapters

					
Item	Angle Rotor, 6 x 50 mL	30 mL Tube Adapter	16 mL Tube Adapter	15 mL Tube Adapter	15 mL RB/ Falcon Tube Adapter
Item Number	30130878	30130891	30130892	30130893	30130894
Compatible Tubes	50 mL	30 mL	16 mL	15 mL	15 mL RB/Falcon
Maximum Number of Tubes	6	6	6	6	6
Max. RPM	6000 rpm	6000 rpm	6000 rpm	6000 rpm	6000 rpm
Max. RCF	4427 x g	4306 x g	4145 x g	4225 x g	4185 x g
Radius	110 mm	107 mm	103 mm	105 mm	104 mm
Type	Angle Rotor 40°				
Rotor Material	PP ¹				

	
Item	Swing Out Rotor, 6 x 5 mL
Item Number	30130880
Compatible Tubes	5 mL
Maximum Number of Tubes	6
Max. RPM	4000 rpm
Max. RCF	1878 x g
Radius	105 mm
Type	Swing Out Rotor
Rotor Material	Aluminium

	
Item	Replaceable Buckets, For Swing Out Rotor (2 PCS/Package)
Item Number	30130895

Notes:

1. PP: Polypropylene

OHAUS Europe GmbH

Im Langacher 44
8606 Greifensee
Switzerland

e-mail: ssc@ohaus.com
Tel: 0041 22 567 53 19
e-mail: tsc@ohaus.com
Tel: 0041 22 567 53 20

www.ohaus.com

With offices throughout
Europe, Asia, and
Latin America

*ISO 9001:2008

Registered Quality
Management System

CH16D268





FRONTIER™ 5707

Multi Centrifuge



Compact Low-Speed Centrifuge with a Modern Touch-Wheel Interface Ideal for General Lab Applications

The FC5707 is a reliable compact low-speed general purpose centrifuge which includes a pre-installed 8 × 15 mL rotor. The rotor can process both round and conical bottom tubes (including common blood tubes), and can also be adapted easily with accessories to process smaller tubes. Designed with convenient operation in mind, the FC5707 features a uniquely designed splash-proof front panel with Touch-Wheel control on an intuitive interface.

Standard Features:

- **Modern Touch-Wheel Control on a Sleek Splash-Proof Interface**—Designed for ease of operation, the FC5707 features convenient control on a protective splash-proof interface, which allows for responsive operation—even when wearing gloves.
- **The Compact Design Saves Valuable Benchtop Space**—Enclosing all its functionalities within a small footprint, Frontier™ Multi Centrifuges save valuable space on the lab bench.
- **Easy and Flexible Operation for a Range of Applications**—The 8 × 15 mL angle rotor can process both round and conical bottom tubes, including common blood tubes. It can also be adapted for use with smaller tubes such as 7, 5 and 1.5/2 mL when used with accessories.

Frontier™ 5707 Multi Centrifuge

Model	FC5707
Speed Range	200 rpm – 6800 rpm; 10 rpm/set
Maximum RCF	4445 × g; 10 × g/set
Maximum Capacity (Rotor)	8 × 15 mL RB* / 4 × 15 mL FA*
Temperature Range	Air cool
Running Time	Quick Spin, 10 sec to 99 hr 59 min 59 sec, or continuous
Noise Level	≤ 60 dB(A)
Acc/Dec Levels	10
Allowable Density at Maximum Speed	1.2 g/mL
Allowable Kinetic Energy	845 Nm
AC Power	230 V ~ 50/60 Hz
Voltage Fluctuation	± 10%
Current Consumption	0.8 – 0.4 A
Power Consumption	50 W
Dimensions (W × D × H)	277 × 356 × 236 mm
Net Weight (with rotor)	10 kg
Shipping Dimensions (W × D × H)	370 × 470 × 340 mm
Shipping Weight (with rotor)	11.5 kg
Environment	For indoor use only

*RB-round bottom, FA-conical bottom


Other Standard Features and Equipment

Ten acceleration and ten deceleration rates, pre-selection of running time from 10s to 99h 59min or continuous, audible signal at the end of each run with melody options, quick spin for short runs

Compliance

- **Product Safety:** IEC/EN 61010-1; IEC/EN 61010-020
- **Electromagnetic Compatibility:** IEC/EN 61326-1 Class B, Basic environments
- **Compliance Mark:** CE

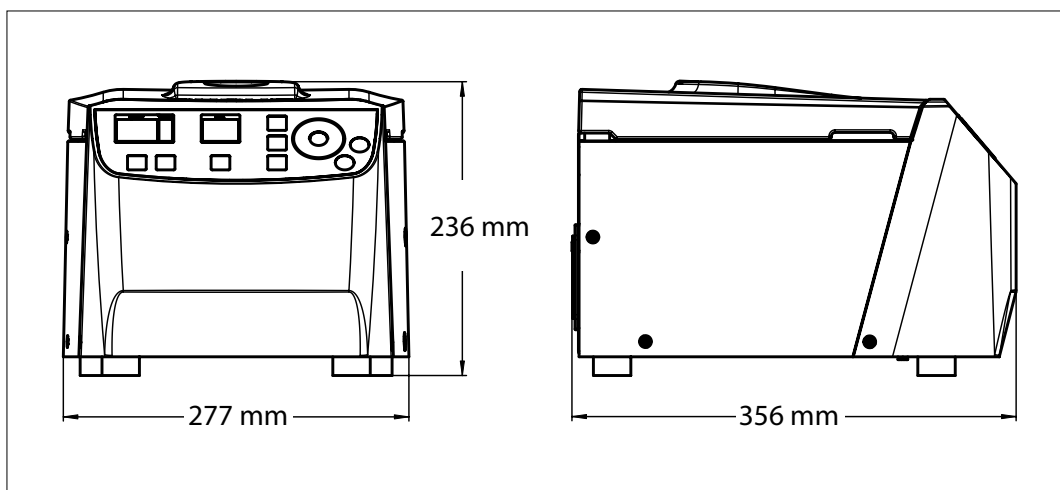
Rotor and Accessories

	Order No.	30472305
	Description	Rotor, Angle, 8 × 15 mL
	Max. Speed	6800 rpm
	Max. RCF	4445 × g

Accessories

Order No.	Description	Vol./Tube	Diameter	Tube type
Without Adapter	Rotor, Angle, 8 × 15 mL Round bottom tubes/ 4 × 15 mL Conical bottom tubes	15 mL	17 mm	Round bottom/ Conical bottom
30130889	Adapter, 1 × 7 mL D13.5 mm RB, 2/pk	7 mL	13.5 mm	Round bottom
30130890	Adapter, 1 × 5 mL D13.5 mm RB, 2/pk	5 mL	13.5 mm	Round bottom
30130886	Adapter, 1 × 1.5/2.0 mL D11 mm, 6/pk	1.5/2 mL	11 mm	Microtube

Dimensions



OHAUS Europe GmbH

Im Langacher 44
8606 Greifensee
Switzerland

e-mail: ssc@ohaus.com
Tel: 0041 22 567 53 19
e-mail: tsc@ohaus.com
Tel: 0041 22 567 53 20

www.ohaus.com

The management system
governing the manufacture
of this product is
ISO 9001:2015 certified.

CH16E361

